

Fliptop Cash Drawer

OPERATING & MAINTENANCE INSTRUCTIONS

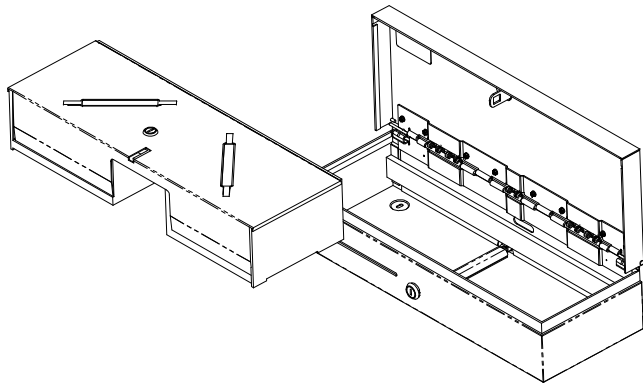


Figure 1

GETTING STARTED

Prepare a location for the cash drawer. Recommendations for a suitable location include:

- A sturdy, level surface no less than the size of the cash drawer;
- Operating temperature from 20° F to 100° F (-7° C to 37° C);
- Non-condensing relative humidity from 20% to 80%.

LOCK FUNCTIONS (If applicable)

Two keys are included with each cash drawer for the manual lock. The key lock provides two functions: manual open and electrically on-line. See Figure 2. The key may be removed in the 12 o'clock (Electrically On-Line) position only. To reduce the risk of damaging or breaking the key, remove the key from the lock during normal operation.

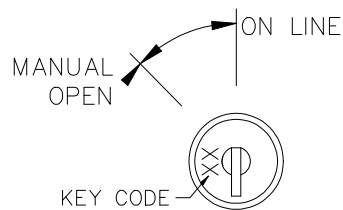


Figure 2

MEDIA STORAGE

A media storage compartment integrated into the bottom of the till, may be accessed by inserting media into the single slip slot on the front of the drawer.

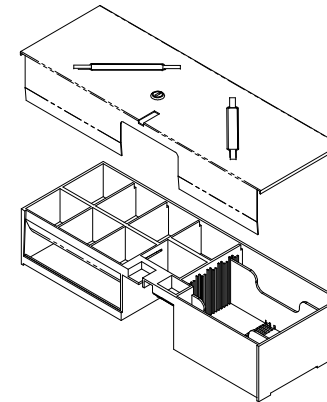


Figure 3

REMOVING THE LOCKING TILL COVER

Insert the till cover key into the lock and rotate 90 degrees. Lift the lid.

PREVENTATIVE MAINTENANCE

Periodic application of lithium-based bearing grease onto the latch mechanism may be required.

CAUTION: Breaking coin rolls on the money till may cause the plastic to fracture.

RECOMMENDED CASH DRAWER INSTALLATION

Refer to Figure 4 below. Install the Cash Drawer in an appropriate location. Secure the Cash Drawer in place with 4 screws installed through the holes on the inside bottom of case. Screw heads should be on the inside of the case and must not interfere with bottom of Till for the Cash Drawer to operate properly.

Figure 4

